

# Openbox C+

Multi-function full-opening body



 Reduced carbon footprint

 Quick conversion

 The guarantee of no empty back loads

Patented  
system



# Specifications

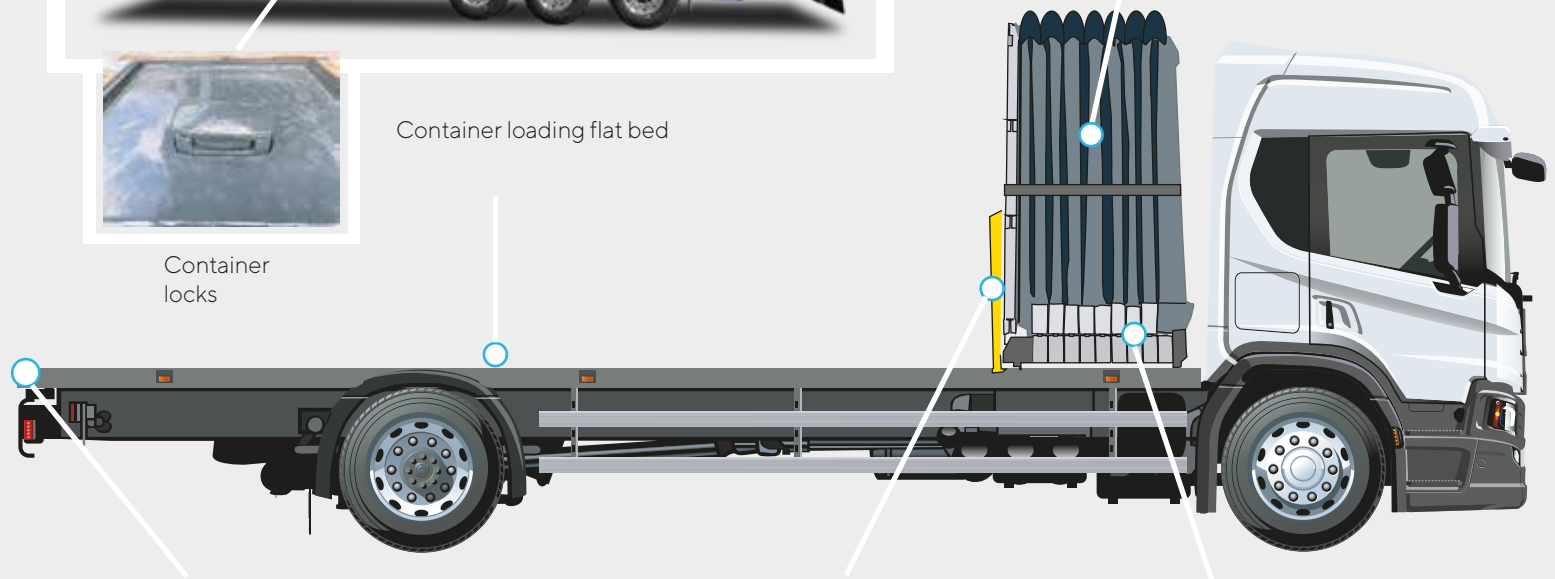


Interior of the body



Container loading flat bed

Container locks



Drop-down rear crossmember



Protection posts



Arch locking device



## Openbox C+

Design based on a sliding curtain body, the OPEN BOX C+ body can be used for two transport modes :

- With the body folded at the front to allow the loading of containers or bespoke loads.
- With the body fully closed for the transport of goods that need to be protected.

The OPEN BOX C+ is the first retractable sliding curtain body in Europe that has withstood the EN12642 standard XL code tests (load safety).

Furthermore, the body is approved for the transport of beverages, making this product even more versatile.

Multi-functional, the OPEN BOX C+ has the capacity to adapt to any type of transport (exceptional goods, general goods, beverages, containers, ...).

